

Product Code	Model	Pipe Connection size	Backwash Operation
8010035	JPF	DN125	Manual
8010036	JPF	DN150	Manual
8010037	JPF	DN200	Manual



8020035	JPF-ATP	DN125	Auto – time with manual override and pressure differential
8020036	JPF-ATP	DN150	Auto – time with manual override and pressure differential
8020037	JPF-ATP	DN200	Auto – time with manual override and pressure differential



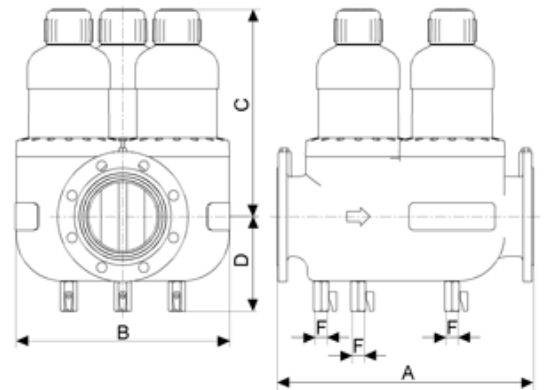
### JPF DN125 – DN200 units – Manual and Automatic

	JPF DN125	JPF DN150	JPF DN200	
Max Flow Rate	100m <sup>3</sup> /hr – 1666l/m	150m <sup>3</sup> /hr – 2500l/m	200m <sup>3</sup> /hr 3336l/min	
Maximum Pressure	10 bar	10 bar	10 bar	
Maximum working pressure	10 bar	10 bar	10 bar	
Pressure drop on back washing	0.2 bar	0.2 bar	0.2 bar	
Inlet/Outlet	DN65	DN80	DN100	
Screen Surface Area	217cm <sup>2</sup>	533cm <sup>2</sup>	533cm <sup>2</sup>	
Screen Micron Rating	100μ	100μ	100μ	Available on request 30, 320 & 500μ
Backwash flow rate	1.0l/s	1.0l/s	1.0l/s	
Backwash volume	60l @ 1m duration	60l @ 1m duration	60l @ 1m duration	
Backwash duration	Manual	Manual	Manual	Note Automatic duration 2 m
Weight	95.0kg	145.0kg	200.0kg	
Power requirements	-	-	-	240v/50Hz for auto

Dimensions (mm)

**JPF Range – DN65 – 100 - Manual**

	DN125	DN150	DN200
A – (Installation Length)	560	560	600
B – (Width)	250	468	474
C – (Height Above Pipe Centre)	430	453	469
D – (Height Below Pipe Centre Width)	191	207	238
G – (Waste Connection)	20	20	20



**JPF Range – DN65 – 100 Auto Pressure Differential**

	DN125	DN150	DN200
A – (Installation Length)	560	560	600
B – (Width)	250	468	474
C – (Height Above Pipe Centre)	505	525	535
D – (Height Below Pipe Centre Width)	200	220	250
G – (Waste Connection)	20	20	20

