

Product Code	Model	Pipe Connection size	Backwash Operation
8170200	JPM	¾" – 20mm	Manual with backflow preventer and pressure regulating valve - Manual
8170201	JPM	1" – 25mm	Manual with backflow preventer and pressure regulating valve - Manual
8170202	JPM	1 ¼" – 32mm	Manual with backflow preventer and pressure regulating valve - Manual
8167510	JPM-AT	¾" – 20mm	Auto – time with manual override backflow preventer and pressure regulating valve
8167511	JPM-AT	1" – 25mm	Auto – time with manual override backflow preventer and pressure regulating valve
8167512	JPM-AT	1 ¼" – 32mm	Auto – time with manual override backflow preventer and pressure regulating valve
8150107	JPM	1 ½" – 40mm	Manual with backflow preventer and pressure regulating valve
8150108	JPM	2" – 50mm	Manual with backflow preventer and pressure regulating valve

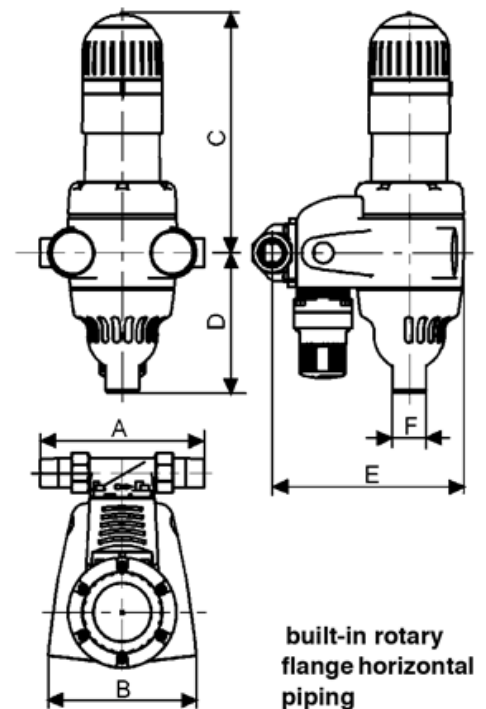


JPM units - Manual & Automatic

	JPM ¾" 20mm	JPM 1" 25mm	JPM 1 ¼" 32mm	
Max Flow Rate	4.0m ³ /hr – 66l/m	4.5m ³ /hr – 73l/m	5.5m ³ /hr – 90l/min	
Maximum Pressure	16 bar	16 bar	16 bar	
Maximum working pressure	10 bar	10 bar	10 bar	
Pressure drop on back washing	0.2 bar	0.2 bar	0.2 bar	
Inlet/Outlet	¾" - 20mm	1" – 25mm	1 ¼" - 32mm	
Screen Surface Area	85cm ²	85cm ²	85cm ²	
Screen Micron Rating	100µ	100µ	100µ	Available on request 30, 320 & 500µ
Backwash flow rate	0.3l/s	0.3l/s	0.3l/s	
Backwash volume	18l @ 1m duration	18l @ 1m duration	18l @ 1m duration	
Backwash duration	Manual	Manual	Manual	Note Automatic duration 2 m
Weight	4.0kg	4.0kg	4.0kg	

Dimensions (mm)

JPM Range – ¾" - 1 ¼" - Manual	¾"	1"	1 ¼"
A – (Installation Length)	180	195	230
B – (Width)	130	130	130
C – (Height Above Pipe Centre)	280	280	280
D – (Height Below Pipe Centre Width)	165	165	165
E – (Width to Pipe Centre)	165	165	170
F – (Waste Connection)	40	40	40
F ¹ - (Alt Waste Connection)	13	13	13



Dimensions (mm)

JPM Range – ¾" - 1 ¼" - Automatic	¾"	1"	1 ¼"
A – (Installation Length)	X	X	X
B – (Width)	X	X	X
C – (Height Above Pipe Centre)	X	X	X
D – (Height Below Pipe Centre Width)	X	X	X
E – (Width to Pipe Centre)	X	X	X
F – (Waste Connection)	40	40	40
F ¹ - (Alt Waste Connection)	13	13	13

Diagrammatics missing for ¾" - 1 ¼" Automatic JPM

JPM 1 ½ - 2" units – Manual

	JPF 1 ½" 40mm	JPF-LF 2" 50mm
Max Flow Rate	16m ³ /hr – 266l/m	17m ³ /hr – 280l/m
Maximum Pressure	16 bar	16 bar
Maximum working pressure	10 bar	10 bar
Pressure drop on back washing	0.2 bar	0.2 bar
Inlet/Outlet	1 ½" – 40mm	2" – 50mm
Screen Surface Area	217cm ²	217cm ²
Screen Micron Rating	100μ	100μ
Backwash flow rate	0.5l/s	0.5l/s
Backwash volume	30l @ 1m duration	30l @ 1m duration
Backwash duration	Manual	Manual
Weight	12kg	13kg

Available on request
30, 320 & 500μ

Dimensions (mm)

JPM Range 1 ½ - 2" - Manual	1 ½"	2"
A – (Installation Length)	252	280
B – (Width)	154	154
C – (Height Above Pipe Centre)	329	329
D – (Height Below Pipe Centre Width)	97	97
E – (Width to Pipe Centre)	205	213
G – (Waste Connection)	50	50
G ¹ - (Alt Waste Connection)	20	20

